



Vernet

COMPACT
SIZE

WeMix



NEW THERMOSTATIC PLATFORM



THE JOURNEY STARTS WITH AN OBSERVATION

- ✓ No compact thermostatic solution available so far
- ✓ Thermostatic cartridge are classically water fed with lateral inlets
- ✓ Architecture of thermostatic cartridges drives design of thermostatic mixers
- ✓ Big impact for concealed thermostatic valves
- ✓ Thermostatic does not work in case of hot and cold water inlet wrong connection during the installation

These challenges led us to create WeMix !

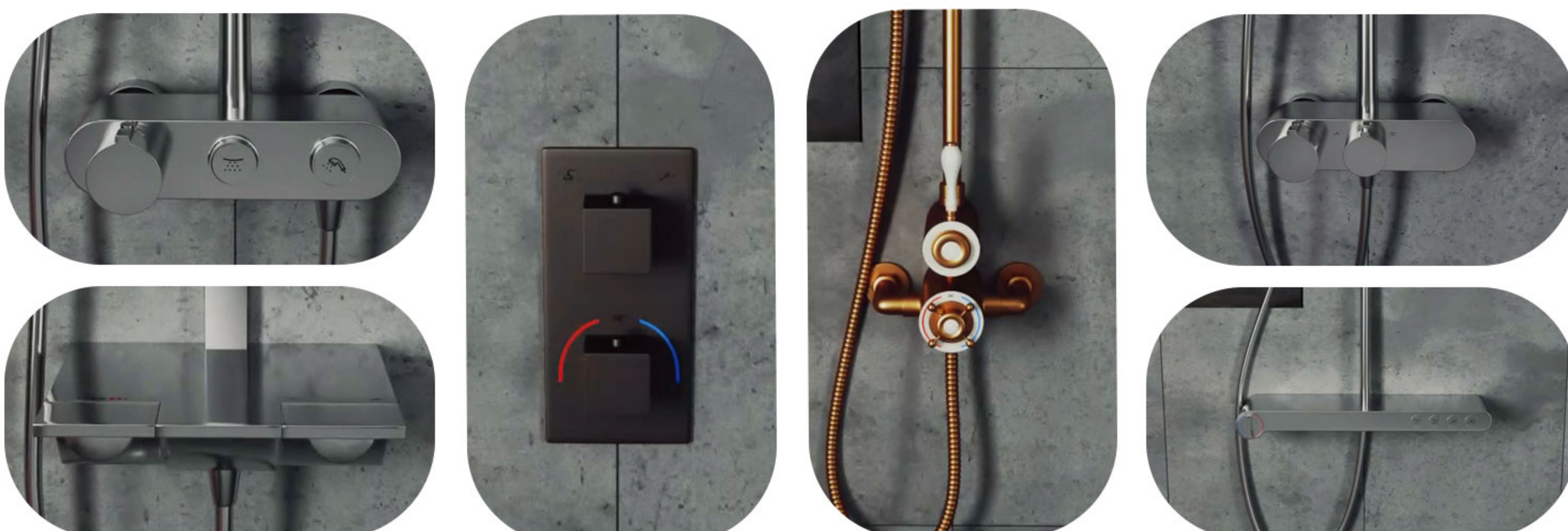


WeMix THINKS OUT OF THE BOX

- ✓ Innovative architecture inspired by ceramic cartridge water management
- ✓ The most compact ever designed (in mixer overall length < 40 mm)
- ✓ Hot & Cold water reversible - Patented
- ✓ New design for mixer is now possible !
- ✓ "Only" a thermostatic cartridge
- ✓ Imagine a new design for water experience

APPLICATIONS

- ✓ Shower & Bath (One version for each application)



QUALITY

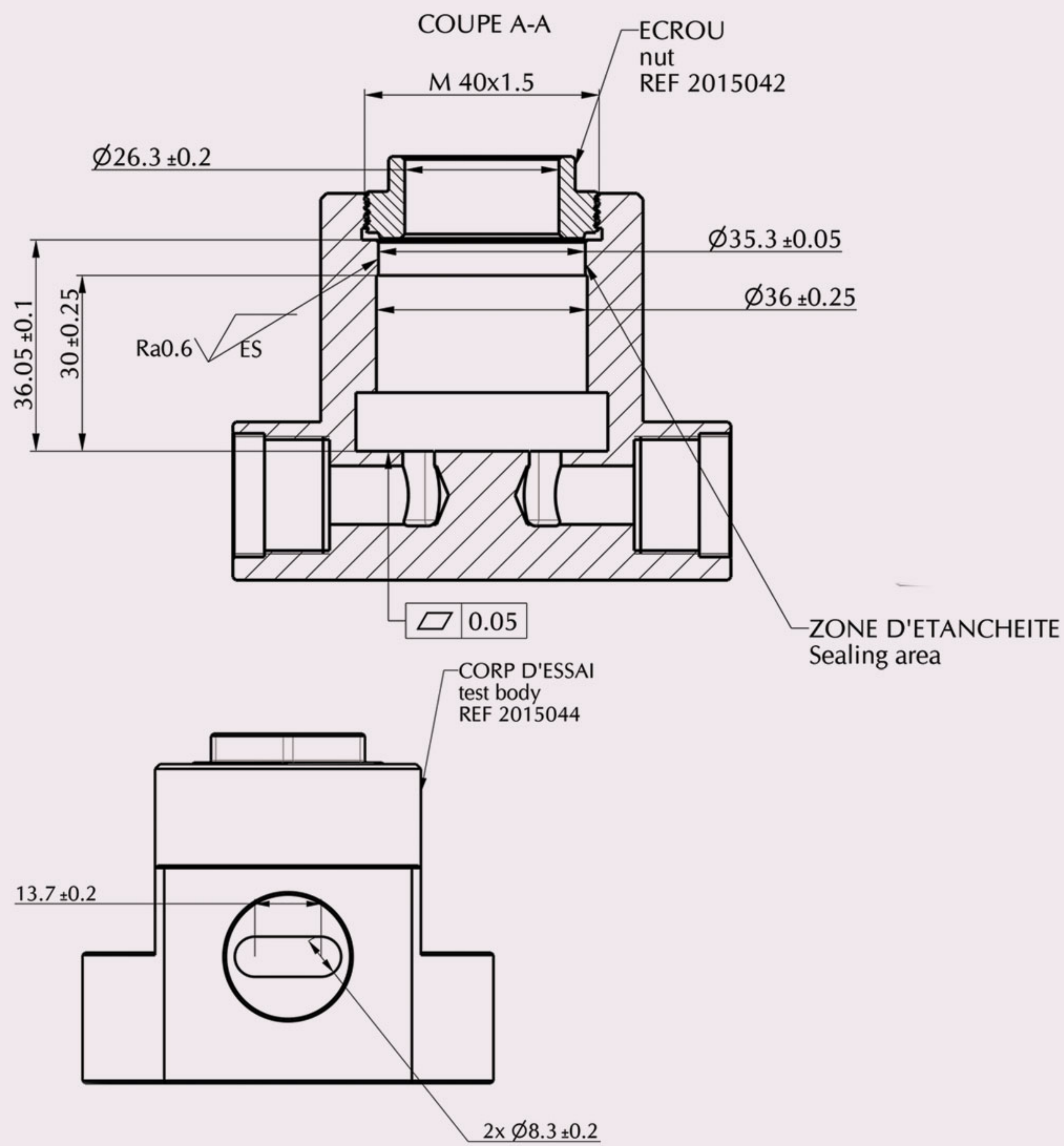
Each cartridge is **individually checked** for stability, flow, operating torque, leakage and anti-scald function

CERTIFICATIONS

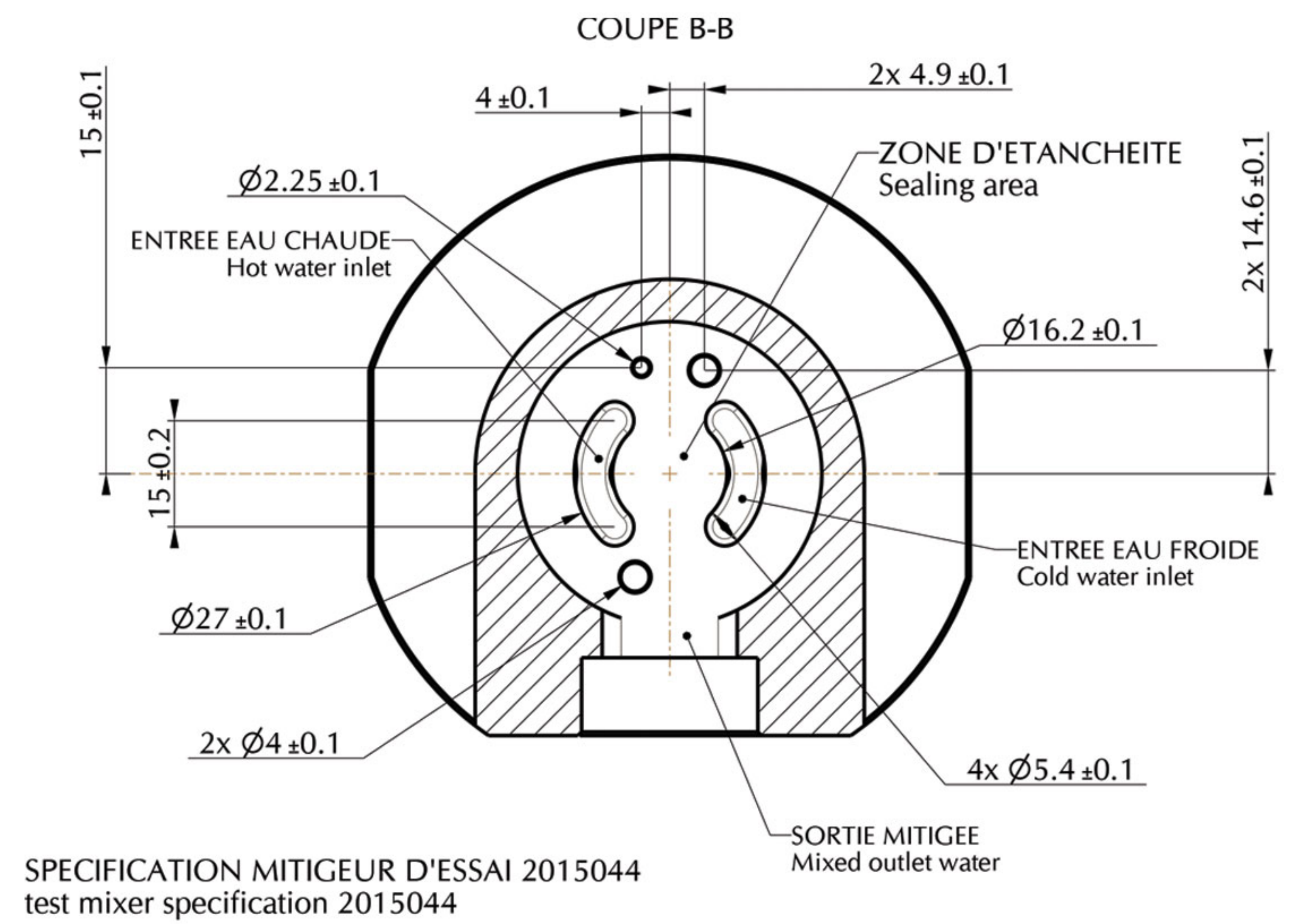
Solution for **international standards**

Materials certified for drinking water requirements

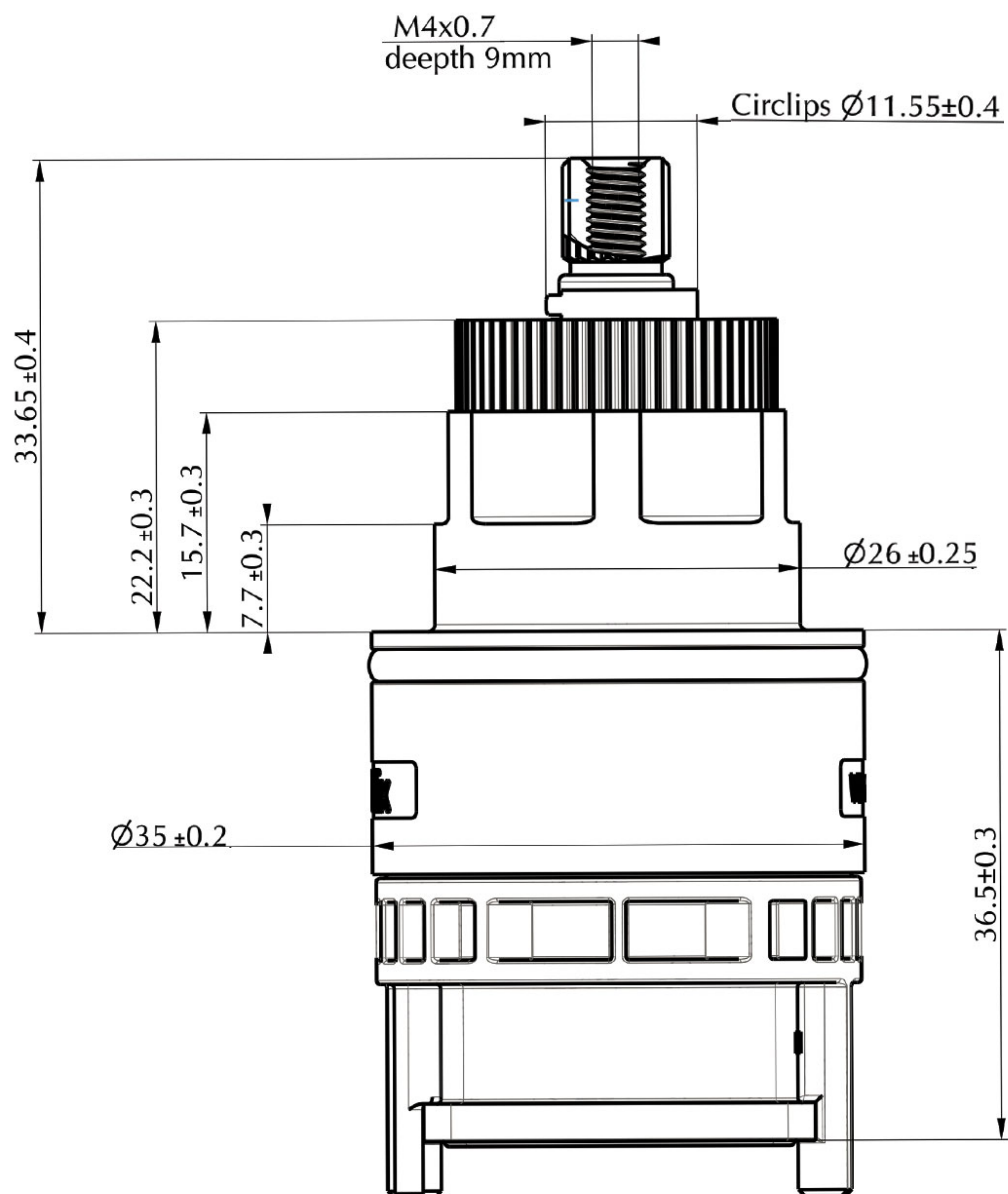
WeMix (in mm)
HOUSING



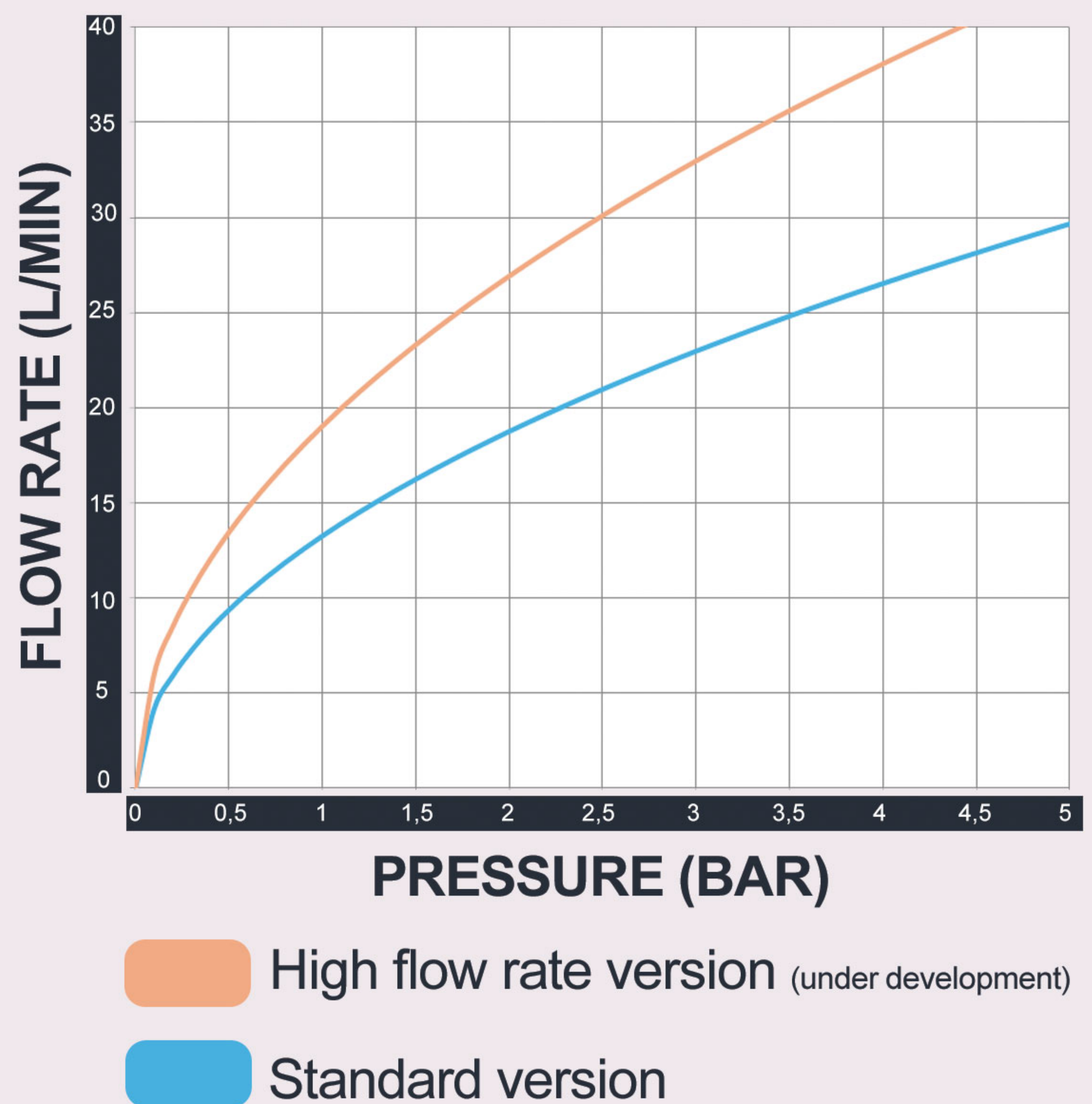
WeMix (in mm)
HOUSING



WeMix (in mm)
DIMENSIONS



WeMix at 38°C
FLOW RATE



get in
TOUCH



www.thermostaticbyvernet.com