

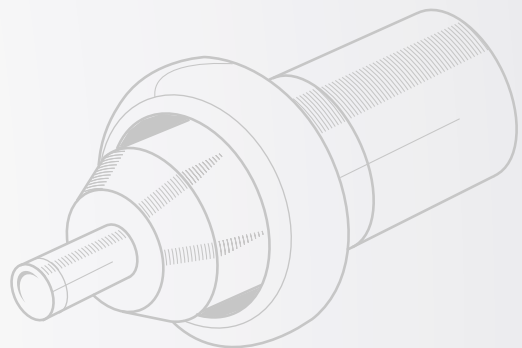


Vernet thermostatic solutions

The obvious choice



SANITARY
& HVAC



Vernet

Wax innovation

High performance with complete simplicity

When heat produces movement

With wax, the natural phenomenon of expansion generated by heat is particularly amplified, while remaining simple, reliable, highly accurate, infinitely repeatable and high performing.

- / As the creator of wax thermostatic elements and the worldwide leader in the sector, Vernet Sanitary & HVAC has achieved unrivalled command of their manufacture and operation thanks to unique formulae developed specifically for each solution.
- / These formulae, which are a closely-guarded secret, are developed using unique know-how.
- / Expansion curves are controlled perfectly for temperature ranges between -20°C and $+150^{\circ}\text{C}$.



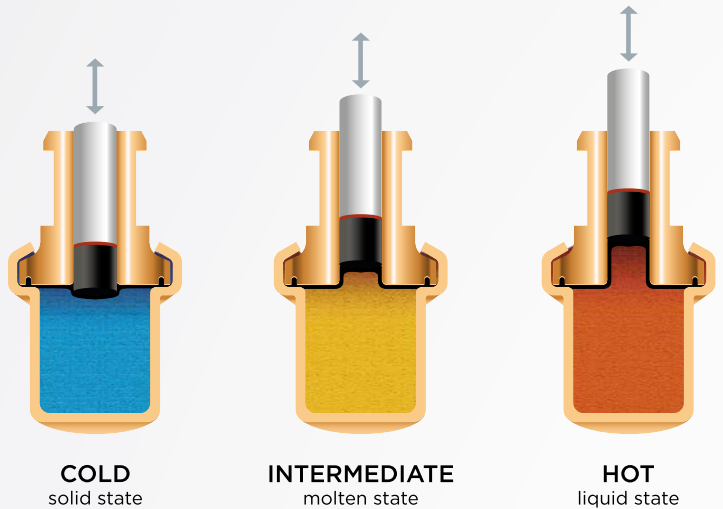
This is an eco-optimum principle, which provides a whole host of benefits

Wax innovation provides multiple advantages, regardless of the element or solution implemented.

- / Precise and reliable, its performances do not change over time...
- / Quiet, it provides additional comfort, in the broadest sense of the term.
- / Natural, it is both ecological and economical.

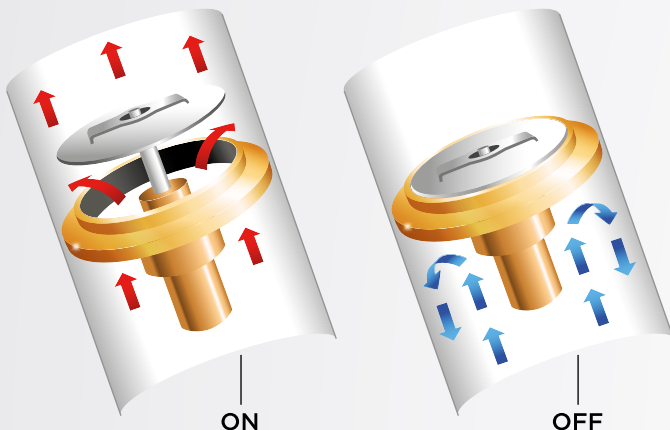
The expansion phenomenon

When it expands, the wax drives the piston and when it cools down again the piston returns to its initial position.

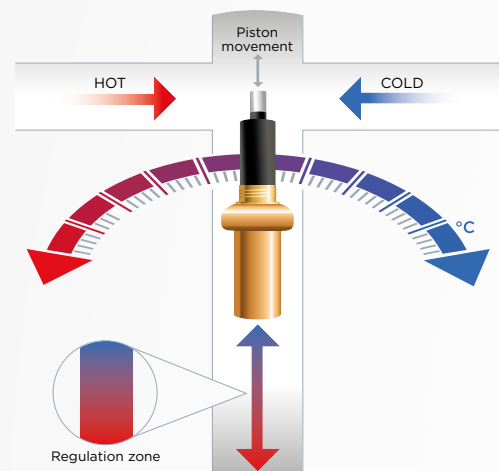


The effects of movement

Opening/closing



Temperature regulation



Sanitary & HVAC

Ideal solutions for every situation

In the home, and much more

Of course, Vernet Sanitary & HVAC wax thermostatic solutions are ideal for the home, but they also have a whole host of other potential applications.

These solutions demonstrate their performance in a wide range of areas:

- / Sanitary,
- / Heating,
- / Ventilation,
- / Automotive,
- / Industry, and so on.

They may also be developed to meet specific requests or applications designed by customers.

- 
- ① Solar panels
 - ② Ventilation
 - ③ Under-floor heating
 - ④ Boiler
 - ⑤ Shower
 - ⑥ Tap



A complete range of solutions

The Vernet Sanitary & HVAC thermostatic solutions range contains several hundred references which are compatible with all environmental requirements, worldwide:

- / For all requirements: temperature, force, movement.
- / For all environments: air, domestic hot water, heating circuit, oil, etc.
- / For all temperatures between -20°C and +150°C.

Vernet Range

Do you need something? We have the solution

Tailor-made solutions

When Vernet Sanitary & HVAC claims to meet all expectations its not just an empty promise, but a reality.

Because each customer is important, they can choose precisely:

- / the product size
- / the temperature scale
- / the product quantity

If a product needs to be adapted, or even created, the R&D team is made available. They accompany customers from the design of their product to its industrialisation.

Sanitary thermostatic elements

- / Instant-reacting
- / Precise and infinitely-repeatable
- / Drinking water



Sanitary thermostatic cartridges

- / Certified user safety
- / Confirmed user comfort
- / Water and energy saving



Heating thermostatic elements

- / Robust
- / Powerful
- / Zero energy



Heating radiator head elements

- / Precise
- / Independent
- / Design



Heating thermostats

- / Ready to use
- / Withstand all tests
- / Zero maintenance



Heating electro-thermal motors

- / Zero noise
- / Zero servicing
- / Compact



Heating electro-thermal actuators

- / Silent
- / Unrivalled lifetime
- / Minimal energy consumption



Ventilation thermostatic elements

- / Significant force
- / Wide-scale movement
- / Eco-responsible operation



Vernet Sanitary & HVAC

Your partner of choice since 1927

Innovation is a raw material

6% of Vernet's turnover is dedicated exclusively to R&D. As the creator of wax thermostatic elements, Vernet has carved out its position as the world leader. Its ability to create innovation and to work for performance enables it not only to provide its customers with a wide range of products, but also able it to anticipate and satisfy the market's expectations and requirements.

The thermostatic solutions expert

Since 1927, Vernet has been designing the products of tomorrow while initiating international standards and regulations. ISO 9001, ISO 14001 and ISO/TS 16949-certified, quality is the main driving force behind the company's development.

Trust, the basis for all strong relationships

Thanks to its international sales team, Vernet is present in the largest worldwide networks and assists all its customers with the finest details of their projects. This proximity reinforces communication and trust.

KEY FIGURES



1927

Creation of the company



3000

Thermostatic solutions



10

Patents registered each year



5

Continents where Vernet is present



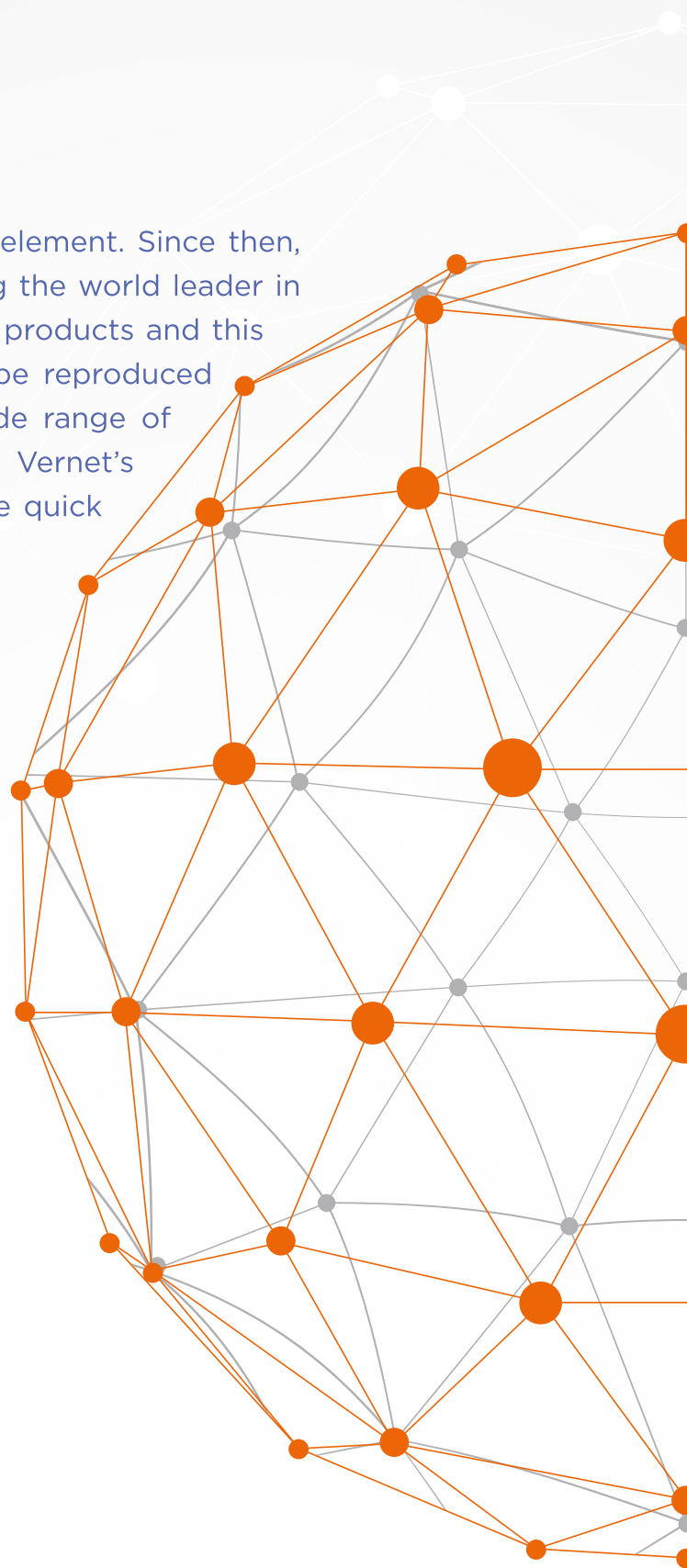
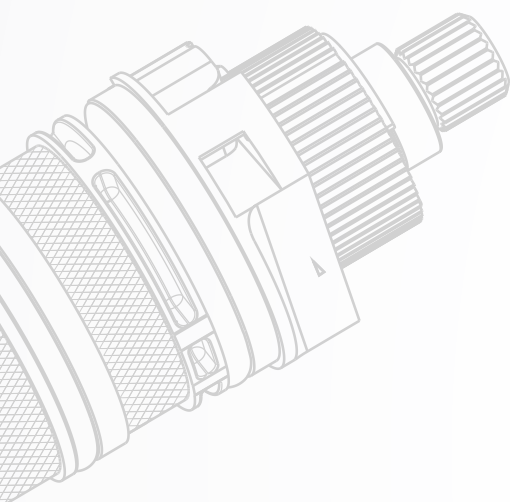
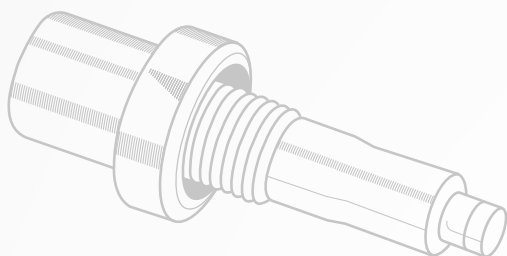
95%

Turnover from export

Vernet Group

A family story, an international success

Vernet created the first wax thermostatic element. Since then, it has confirmed its expertise by becoming the world leader in the manufacture of these elements. These products and this technology enable thermal regulation to be reproduced indefinitely. Its offer, which includes a wide range of products, is the largest on the market. Vernet's flexibility and fast reactions also guarantee quick developments and tailor-made solutions.



www.vernet.fr

s-hvac@vernet.fr

21-27, route d'Arpajon - BP 31 Ollainville - 91291 Arpajon cedex - France / Tel. : +33 (0) 1 69 26 82 82 / Fax. : +33 (0) 1 60 83 03 03